

Fig.1. CYLINDER BLOCK

(A)=4TNV94L-SXZ

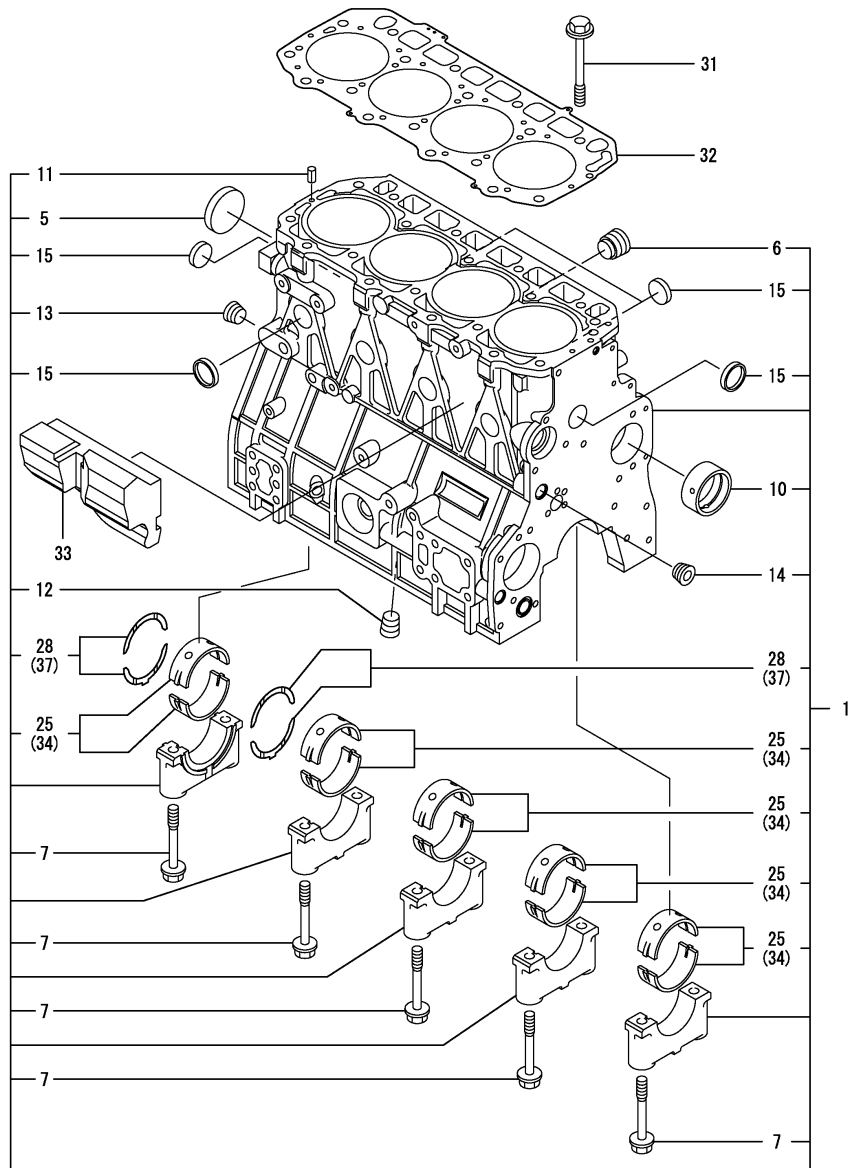
(B)=

(C)=

(D)=

(E)=

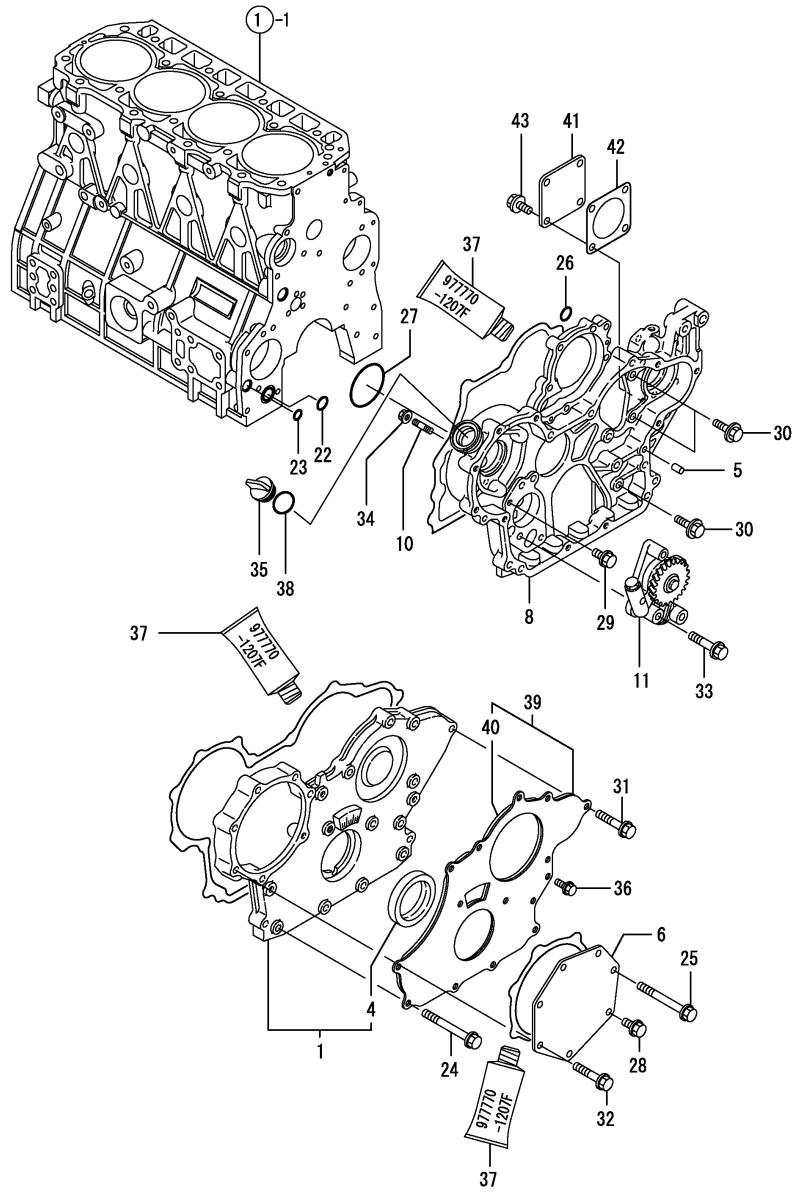
(F)=



REF.	LEV.	PARTS NO.	DESCRIPTION	Q'TY						I	R
				(A)	(B)	(C)	(D)	(E)	(F)		
1	1	729906-01561	BLOCK ASSY, CYLINDER	1							
5	2	129900-01250	PLUG 55	1							
6	2	171051-01921	PLUG	1							
7	2	129900-02020	BOLT, METAL CAP	10							
10	2	129900-02410	BUSH, CAMSHAFT	1							
11	2	22351-060012	SPRING PIN 6X12	2							
12	2	23876-030000	PLUG PT3/8,SCREW	1							
13	2	23876-030000	PLUG PT3/8,SCREW	1							
14	2	23876-030000	PLUG PT3/8,SCREW	1							
15	2	27241-300000	PLUG 30	8							
25	2	729900-02801	MAIN BEARING SET	5							3
28	2	129900-02931	BEARING ASSY, THRUST	2							
31	1	129900-01200	BOLT, HEAD	18							
32	1	129906-01340	GASKET,CYLINDER HEAD	1							
33	1	129907-01190	SPACER	1							
34	1	129900-02341	MAIN BEARING US=0.25	5							1
37	1	129900-02941	BEARING,THRUST .25OS	2							2

Remarks
 (1) UNDER-SIZE(U.S=0.25)PART.
 (2) OVER-SIZE(O.S=0.25)PART.
 (3) REPAIR PART.

Fig.2. GEAR HOUSING



Y00W1150 2. GEAR HOUSING

(A)=4TNV94L-SXZ

(B)=

(C)=

(D)=

(E)=

(F)=

REF.	LEV.	PARTS NO.	DESCRIPTION	Q'TY						I	R
				(A)	(B)	(C)	(D)	(E)	(F)		
1	1	729906-01550	HOUSING ASSY,COVER,G	1							
4	2	129916-01800	SEAL, OIL	1							
5	1	129100-01580	PARALLEL PIN 8X16	4							
6	1	129900-01740	COVER, F.I. PUMP	1							
8	1	129907-01500	HOUSING,GEARS	1							
10	1	26216-100302	STUD BOLT	4							
11	1	129900-32001	PUMP ASSY, LUB.OIL	1							
22	1	129900-32030	O-RING P20	1							
23	1	129900-32040	O-RING P14	1							
24	1	129001-91810	BOLT M 8X 70 PLATED	6							
25	1	129001-91810	BOLT M 8X 70 PLATED	1							
26	1	24311-000070	O-RING 1A P-7.0	1							
27	1	24351-030750	PACKING, 3075	1							
28	1	26106-080162	BOLT M 8X 16 PLATED	1							
29	1	26106-080162	BOLT M 8X 16 PLATED	1							
30	1	26106-080202	BOLT M 8X 20 PLATED	3							
31	1	26106-080402	BOLT M 8X 40 PLATED	5							
32	1	26106-080402	BOLT M 8X 40 PLATED	5							
33	1	26106-080452	BOLT M 8X 45 PLATED	3							
34	1	26306-100002	NUT	4							
35	1	124160-01751	COVER,FILLER	1							
36	1	26106-080162	BOLT M 8X 16 PLATED	3							
37	1	977770-1207F	GASKET.LIQUID	1							1
38	1	24311-000320	O-RING 1A P-32.0	1							
39	1	129900-01850	COVER ASSY	1							
40	2	129900-01870	SPONGE	1							
41	1	124240-01871	COVER, HO-P	1							
42	1	124240-01883	GASKET, (NON-ASB.)	1							
43	1	26106-080162	BOLT M 8X 16 PLATED	4							

Remarks
(1) OPTIONAL PART.

Fig.3. FLYWHEEL HOUSING & OIL SUMP

(A)=4TNV94L-SXZ

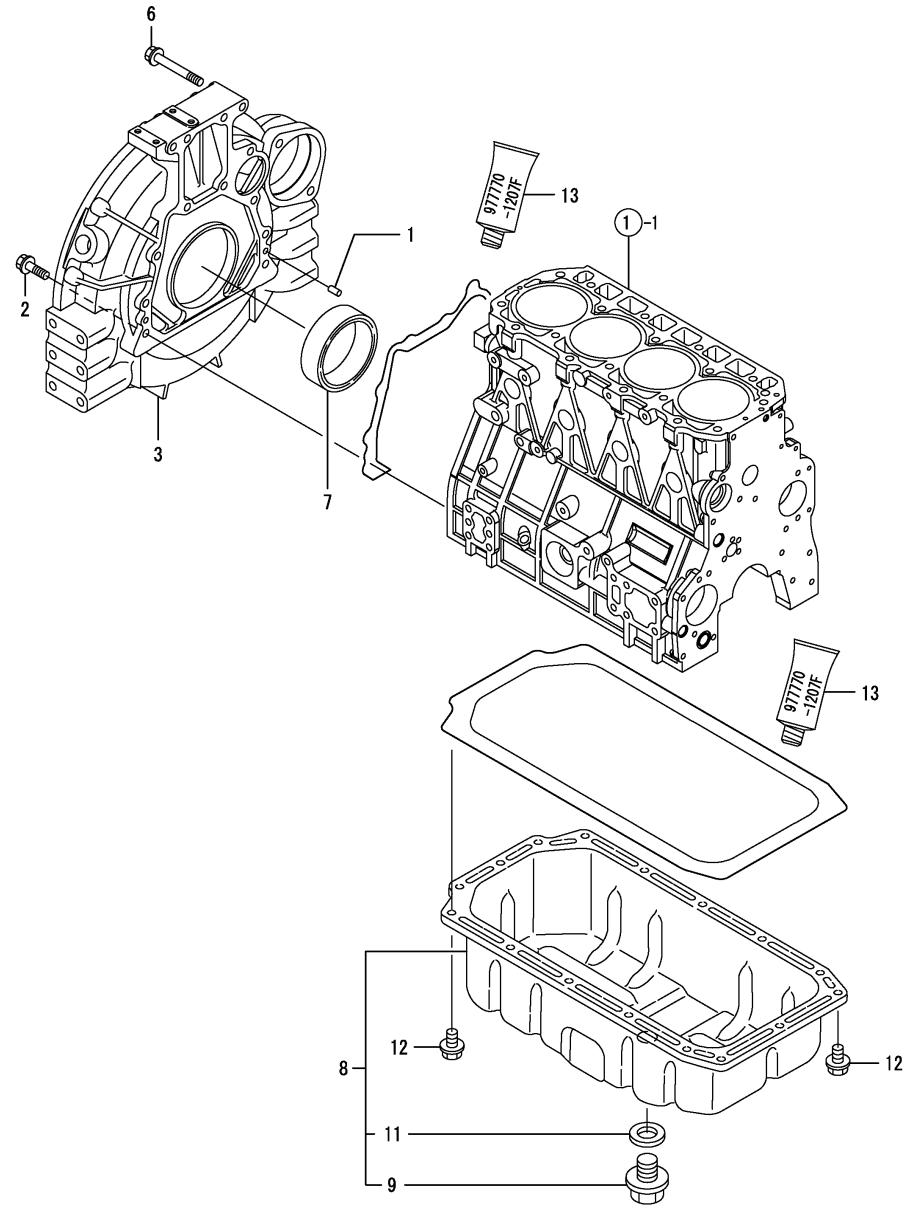
(B)=

(C)=

(D)=

(E)=

(F)=



REF.	LEV.	PARTS NO.	DESCRIPTION	Q'TY						I	R
				(A)	(B)	(C)	(D)	(E)	(F)		
1	1	129100-01580	PARALLEL PIN 8X16	2							
2	1	26206-100352	BOLT M10X 35 PLATED	9							
3	1	129900-01620	COVER ASSY, FLYWHEEL	1							
6	1	26206-100702	BOLT M10X 70 PLATED	4							
7	1	124411-01780	SEAL HTC95,115,12	1							
8	1	129916-01710	PAN ASSY, LUB. OIL	1							
9	2	119640-01640	DRAIN PLUG M22	1							
11	2	22190-220002	SEAL WASHER 22S	1							
12	1	26106-080122	BOLT M 8X 12 PLATED	16							
13	1	977770-1207F	GASKET.LIQUID	1							1

Remarks

(1) OPTIONAL PART.

Fig.4. CYLINDER HEAD & BONNET

(A)=4TNV94L-SXZ

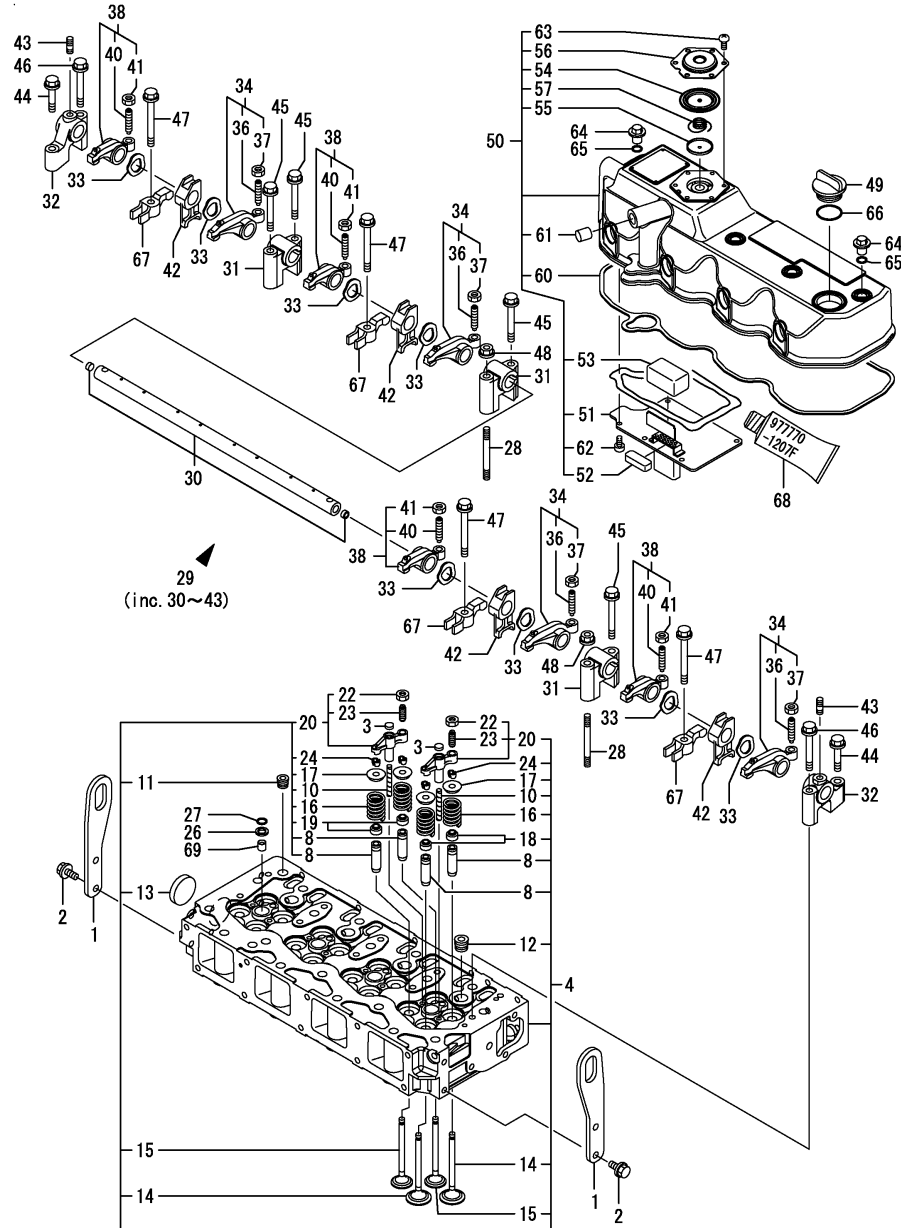
(B)=

(C)=

(D)=

(E)=

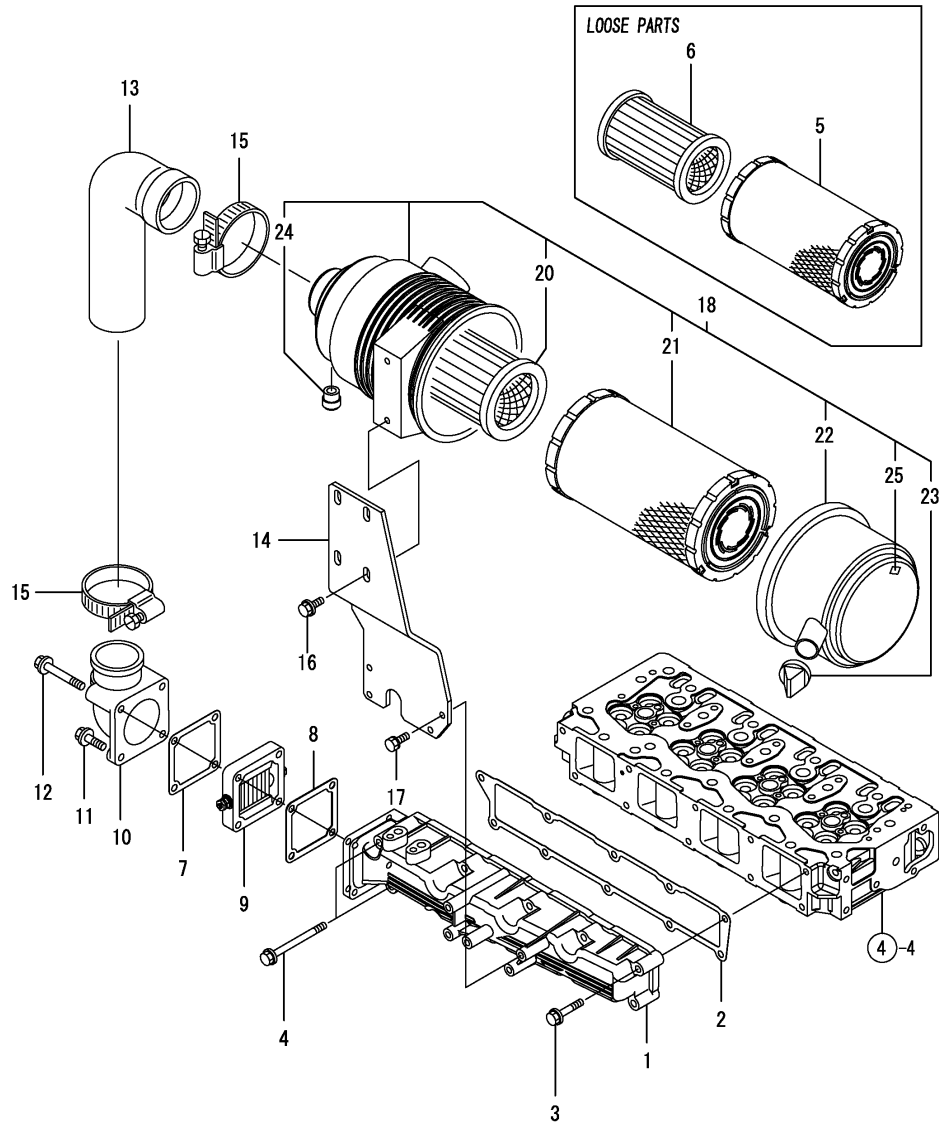
(F)=



REF.	LEV.	PARTS NO.	DESCRIPTION	Q'TY						I	R
				(A)	(B)	(C)	(D)	(E)	(F)		
1	1	129907-07900	LIFTER, ENGINE	2							
2	1	26106-080162	BOLT M 8X 16 PLATED	4							
3	1	123907-11550	SEAT A,VALVE BRIDGE	8							
4	1	129907-11700	HEAD ASSY, CYLINDER	1							
8	2	129907-11800	GUIDE, VALVE	16							2
10	2	123907-11820	GUIDE,VALVE BRIDGE	8							
11	2	23876-020000	PLUG PT1/4,SCREW	1							
12	2	23876-030000	PLUG PT3/8,SCREW	4							
13	2	27241-400000	PLUG 40	1							
14	2	129907-11100	VALVE(INT	8							
15	2	129907-11110	VALVE(EXH	8							
16	2	129907-11120	VALVE SPRING	16							
17	2	119620-11180	RETAINER, SPRING	16							
18	2	124160-11340	SEAL, VALVE STEM(INT	8							
19	2	124950-11340	SEAL, VALVE STEM(EXH	8							
20	2	129907-11510	BRIDGE ASSY,VALVE	8							
22	3	129150-11750	NUT M8XP1.0	8							
23	3	123907-11830	SCRWE,VALVE BRIDGE	8							
24	2	27310-070001	COTTER ASSY	16							
26	1	119625-11880	SEAT, NOZZLE	4							
27	1	24311-000120	O-RING 1A P 12.0	4							
28	1	119593-11301	BOLT 8X80	2							
29	1	129907-11341	SUPPORT CMP	1							
30	2	129907-11250	SHAFT,ROCKER ARM	1							
31	2	129907-11260	SUPPORT A	3							
32	2	129907-11270	SUPPORT B	2							
33	2	123907-11280	WAVE WASHER	8							
34	2	129907-11650	ARM ASSY, ROCKER	4							
36	3	129150-11230	SCREW, VALVE	4							
37	3	129150-11750	NUT M8XP1.0	4							
38	2	129907-11660	ARM ASSY, ROCKER	4							
40	3	129150-11230	SCREW, VALVE	4							
41	3	129150-11750	NUT M8XP1.0	4							
42	2	129907-11920	PEDESTAL,RETAINER	4							
43	2	26226-080222	STUD M 8X 22 PLATED	2							
44	1	26106-080402	BOLT M 8X 40 PLATED	2							
45	1	26106-080602	BOLT M 8X 60 PLATED	4							
46	1	26106-080602	BOLT M 8X 60 PLATED	2							
47	1	129907-11950	FLANGE BOLT,RETAINER	4							
48	1	26306-080002	NUT	2							
49	1	124160-01751	COVER,FILLER	1							
50	1	129907-11320	BONNET ASSY	1							
51	2	129907-03011	BAFFLE PLATE	1							
52	2	129907-03061	BAFFLE	1							
53	2	129907-03070	BAFFLE	1							
54	2	123907-03100	DIAPHRAGM,BREATHER	1							
55	2	123907-03110	CENTER PLATE	1							
56	2	123907-03120	PLATE,BREATHER	1							
57	2	123907-03140	SPRING, DIAPHRAGM	1							
60	2	129907-11310	PACKING,BONNET	1							
61	2	119640-61400	PLUG	1							

Remarks
 (1) OPTIONAL PART.
 (2) REPAIR PART.

Fig.5. SUCTION MANIFOLD & AIR CLEANER



Y00W1150 5. SUCTION MANIFOLD & AIR CLEANER

(A)=4TNV94L-SXZ

(B)=

(C)=

(D)=

(E)=

(F)=

REF.	LEV.	PARTS NO.	DESCRIPTION	Q'TY						I	R
				(A)	(B)	(C)	(D)	(E)	(F)		
1	1	129944-12110	INTAKE MANIFOLD	1							
2	1	129907-12110	PACKING(INT.MANIFOLD)	1							
3	1	26106-080452	BOLT M 8X 45 PLATED	8							
4	1	26106-080802	BOLT M 8X 80 PLATED	2							
5	1	129906-12520	ELEMENT 6, CLEANER	1							
6	1	119005-12571	ELEMENT ASSY,INNER	1							
7	1	119129-77020	GASKET	1							
8	1	121850-77021	GASKET, (NON-ASB.)	1							
9	1	119005-77050	HEATER, AIR	1							
10	1	119129-77520	BEND	1							
11	1	26106-080402	BOLT M 8X 40 PLATED	2							
12	1	26106-080902	BOLT M 8X 90 PLATED	2							
13	1	129944-12221	HOSE (AIR INTAKE)	1							
14	1	129944-12620	BRACKET, AIR CLEANER	1							
15	1	23000-080000	CLAMP 80	2							
16	1	26106-080202	BOLT M 8X 20 PLATED	2							
17	1	26013-080222	BOLT M 8X 22	4							
18	1	129944-12500	AIR CLEANER	1							
20	2	119005-12571	ELEMENT ASSY,INNER	1							
21	2	129062-12560	ELEMENT	1							
22	2	129900-12530	COVER ASSY	1							
23	2	119808-12540	VALVE, UNLOADER	1							
24	2	119140-12680	INDICATOR	1							
25	2	129612-12650	MARKING,(W)	1							

Fig.6. EXHAUST MANIFOLD & SILENCER

Y00W1150 6. EXHAUST MANIFOLD & SILENCER

(A)=4TNV94L-SXZ

(B)=

(C)=

(D)=

(E)=

(F)=

REF.	LEV.	PARTS NO.	DESCRIPTION	Q'TY						I	R
				(A)	(B)	(C)	(D)	(E)	(F)		
1	1	129907-13200	MANIFOLD, EXHAUST	1							
2	1	129900-13251	GASKET	1							
3	1	123900-13630	BOLT 8X80	6							
4	1	123900-13610	STUD BOLT M 8X 80	2							
5	1	26306-080002	NUT	2							
6	1	119131-18320	BOLT M 8X 22	4							
7	1	129930-13201	GASKET, SILENCER	1							
8	1	26306-080002	NUT	4							
9	1	129930-13201	GASKET, SILENCER	1							
10	1	26106-080252	BOLT M 8X 25 PLATED	2							
11	1	129907-13500	SILENCER	1							

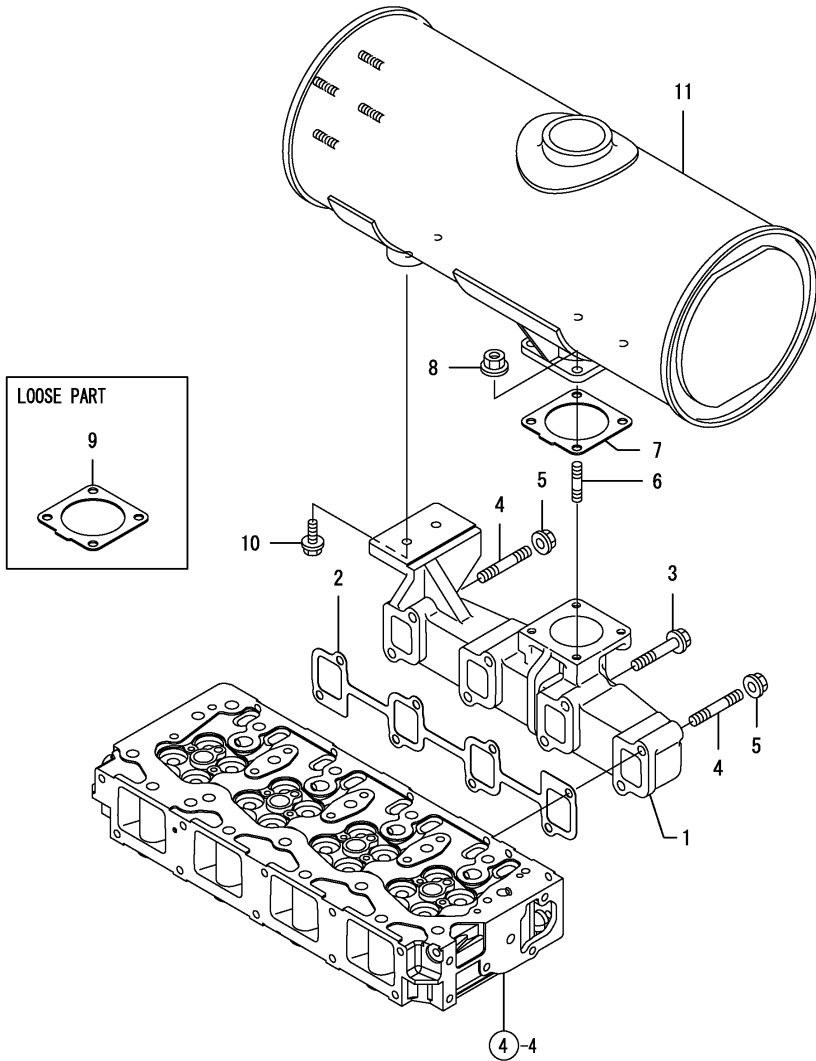


Fig.7. CAMSHAFT & DRIVING GEAR

(A)=4TNV94L-SXZ

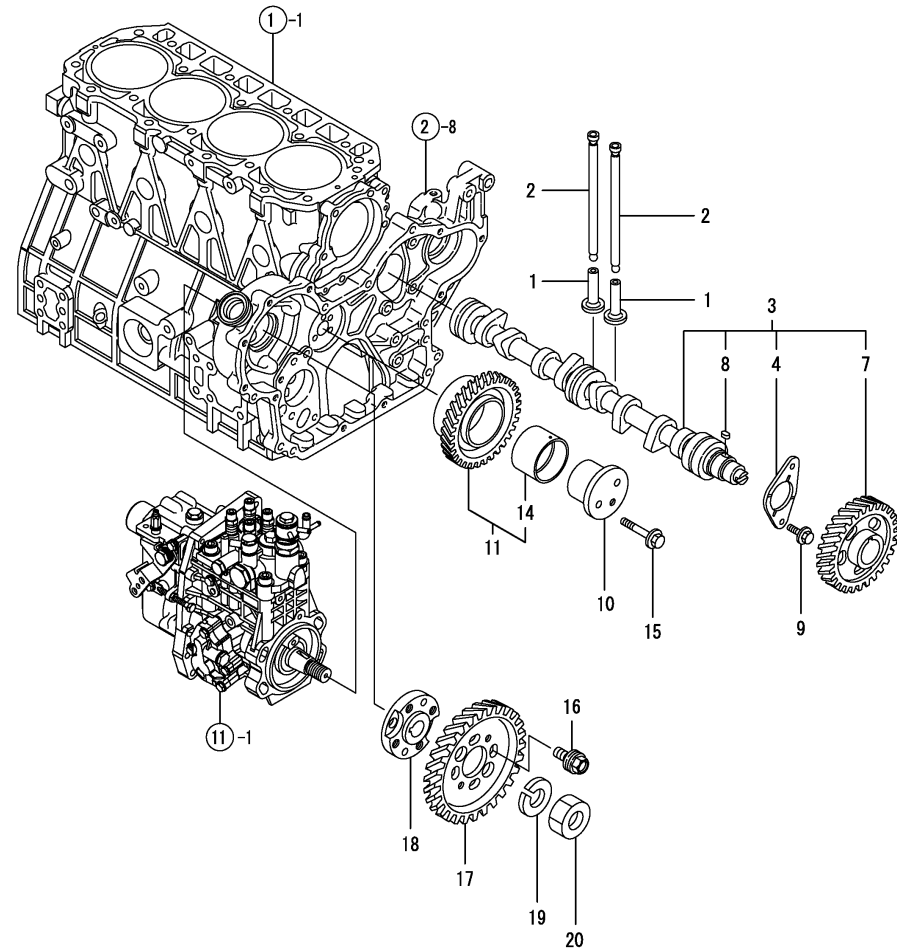
(B)=

(C)=

(D)=

(E)=

(F)=



REF.	LEV.	PARTS NO.	DESCRIPTION	Q'TY						I	R
				(A)	(B)	(C)	(D)	(E)	(F)		
1	1	129150-14200	TAPPET	8							
2	1	129907-14400	PUSH ROD	8							
3	1	129907-14581	CAMSHFT ASSY	1							
4	2	129150-02450	METAL,THRUST(CAM	1							
7	2	129900-14100	GEAR, CAMSHAFT	1							
8	2	22512-070140	KEY 7X 14	1							
9	1	26106-080162	BOLT M 8X 16 PLATED	2							
10	1	123900-25060	SHAFT(GEAR, IDLE	1							
11	1	129900-25100	GEAR ASSY, IDLE	1							
14	2	129150-25920	BUSH, IDLE GEAR	1							1
15	1	26106-080552	BOLT M 8X 55 PLATED	3							
16	1	129953-25300	BOLT	4							
17	1	129907-25900	GEAR,F.I.PUMP	1							
18	1	158563-51150	FLANGE	1							
19	1	22217-180000	SPRING WASHER 18	1							
20	1	26776-180002	NUT M18,LOCK	1							

Remarks
(1) REPAIR PART.

Fig.8. CRANKSHAFT & PISTON

(A)=4TNV94L-SXZ

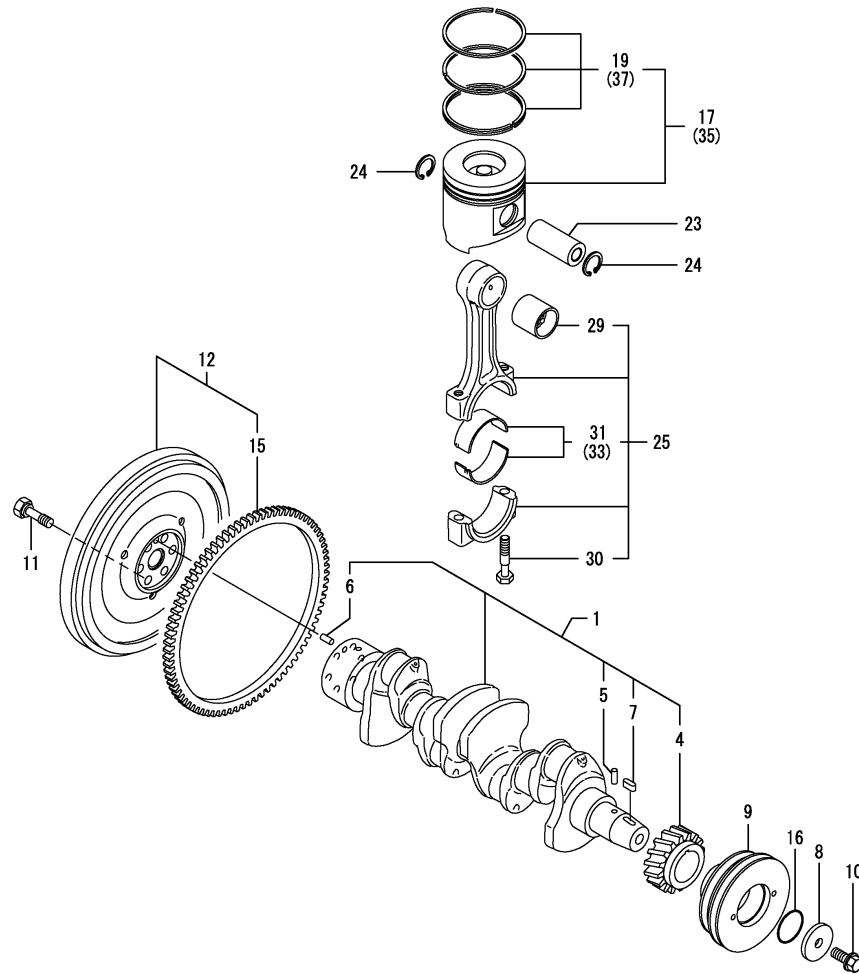
(B)=

(C)=

(D)=

(E)=

(F)=



REF.	LEV.	PARTS NO.	DESCRIPTION	Q'TY						I	R
				(A)	(B)	(C)	(D)	(E)	(F)		
1	1	129902-21000	CRANKSHAFT COMP	1							
4	2	129900-21200	GEAR, CRANKSHAFT	1							
5	2	121850-21290	PARALLEL PIN	1							
6	2	121850-21920	PARALLEL PIN 10X22	1							
7	2	22512-070140	KEY 7X 14	1							
8	1	129960-21640	WASHER	1							
9	1	129916-21680	V-PULLEY, CRANKSHAFT	1							
10	1	129916-21610	BOLT, V-PULLEY	1							
11	1	121850-21130	BOLT, FLYWHEEL	6							
12	1	129916-21590	FLYWHEEL ASSY	1							
15	2	129900-21600	GEAR, RING	1							
16	1	24341-000530	O-RING 1A S-53.0	1							
17	1	129906-22080	PISTON W/RING	4							
19	2	129906-22050	RING SET, PISTON	4							
23	1	120130-22301	PIN, PISTON	4							
24	1	22252-000300	CIRCLIP 30	8							
25	1	129900-23001	ROD ASSY, CONNECTING	4							
29	2	129900-23911	BUSH, PISTON PIN	4							1
30	2	129900-23200	BOLT, ROD	8							
31	2	129900-23601	METAL ASSY, CRANKPIN	4							
33	1	129900-23611	BEARING,PIN U.S=0.25	4							2
35	1	729906-22900	PISTON W/RING O.S=25	4							3
37	2	729906-22950	RING SET O.S=0.25	4							3

Remarks
 (1) REPAIR PART.
 (2) UNDER-SIZE(U.S=0.25)PART.
 (3) OVER-SIZE(O.S=0.25)PART.

Fig.9. LUB.OIL SYSTEM

(A)=4TNV94L-SXZ

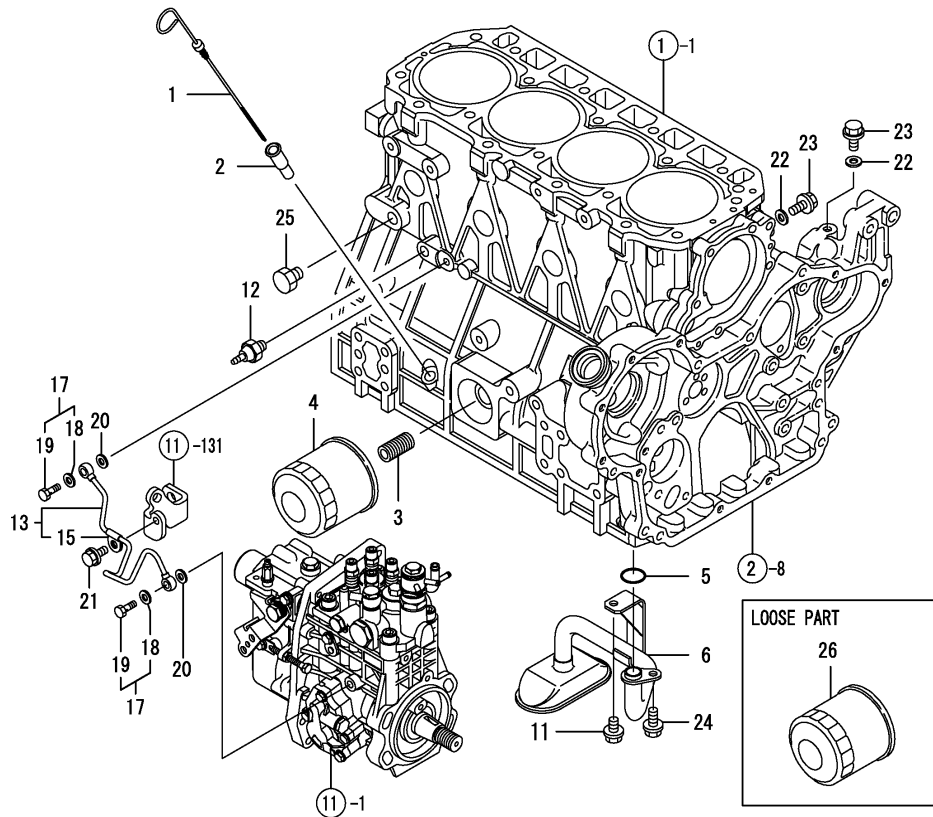
(B)=

(C)=

(D)=

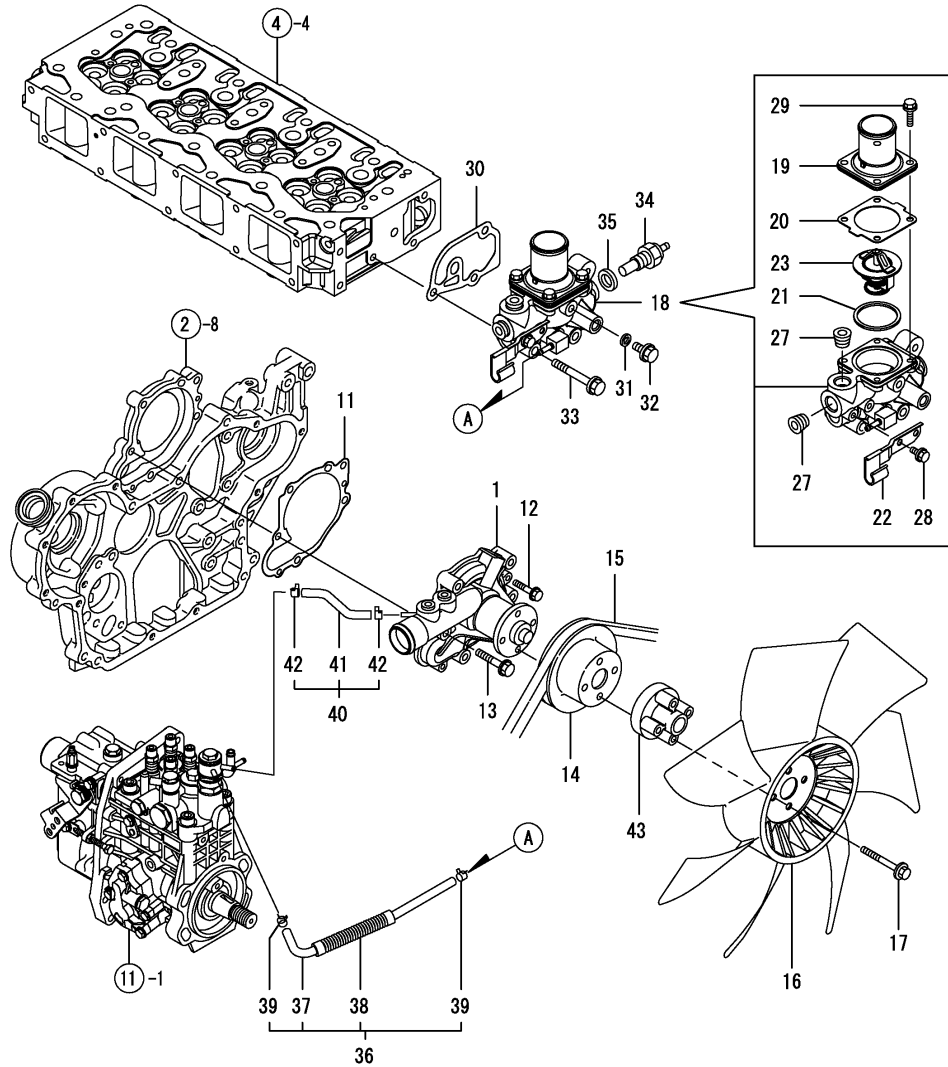
(E)=

(F)=



REF.	LEV.	PARTS NO.	DESCRIPTION	Q'TY						I	R
				(A)	(B)	(C)	(D)	(E)	(F)		
1	1	129906-34851	DIPSTICK, LUB.OIL	1							
2	1	121520-34810	GUIDE, DIPSTICK	1							
3	1	119000-35140	STUD, LUB.OIL FILTER	1							
4	1	119005-35160	STRAINER 80X100L,LO.	1							
5	1	129900-32030	O-RING P20	1							
6	1	129953-35000	PIPE ASY,L.OIL INLET	1							
11	1	26106-080122	BOLT M 8X 12 PLATED	1							
12	1	114250-39450	SWITCH,(0.5KG)L.O.	1							
13	1	129907-39061	PIPE ASY, LUB. OIL	1							
15	2	123907-39500	SUPPORT,PIPE	1							
17	1	129005-59830	BOLT ASSY, JOINT	2							
18	2	22190-080002	SEAL WASHER 8S	2							
19	2	23857-030000	JOINT BOLT 3	2							
20	1	22190-080002	SEAL WASHER 8S	2							
21	1	26106-080122	BOLT M 8X 12 PLATED	1							
22	1	22190-080002	SEAL WASHER 8S	2							
23	1	26106-080122	BOLT M 8X 12 PLATED	2							
24	1	26106-080162	BOLT M 8X 16 PLATED	1							
25	1	171056-49120	PLUG, DRAIN	1							
26	1	119005-35151	FILTER 80X100L	1							

Fig.10. COOLING WATER SYSTEM



(A)=4TNV94L-SXZ

(B)=

(C)=

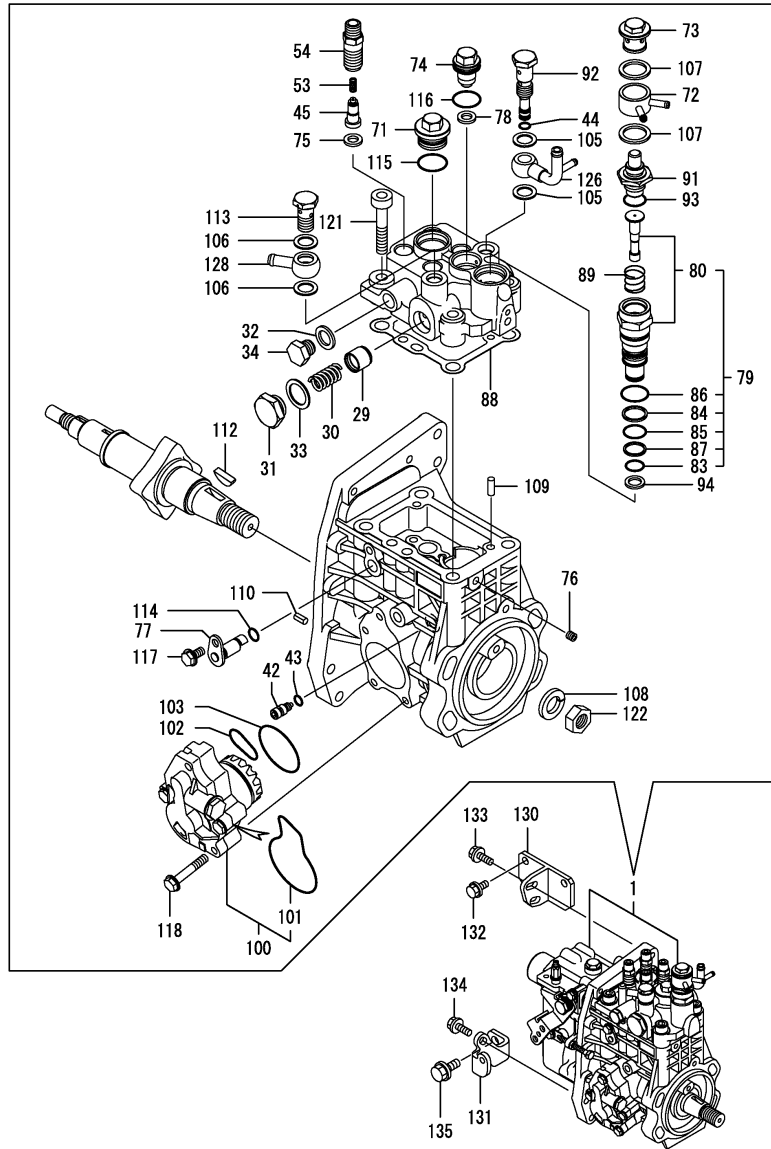
(D)=

(E)=

(F)=

REF.	LEV.	PARTS NO.	DESCRIPTION	Q'TY						I	R
				(A)	(B)	(C)	(D)	(E)	(F)		
1	1	129907-42000	PUMP ASSY, WATER	1							
11	1	129900-42020	GASKET, CW-P	1							
12	1	26106-060302	BOLT M 6X 30 PLATED	2							
13	1	26106-080552	BOLT M 8X 55 PLATED	5							
14	1	129900-42450	PULLEY	1							
15	1	25132-004250	V-BELT,LOW EDGE A42	1							
16	1	129907-44740	FAN,COOLING 430X7	1							
17	1	26106-080552	BOLT M 8X 55 PLATED	4							
18	1	129907-49800	CASE ASSY,THERMOSTAT	1							
19	2	129916-49530	COVER, THERMOSTAT	1							
20	2	121850-49540	GASKET, THERMOSTAT	1							
21	2	121850-49550	GASKET, THERMOSTAT	1							
22	2	129907-49730	PIPE ASSY, INJECTION	1							
23	2	121850-49810	THERMOSTAT	1							
27	2	23875-030000	PLUG PT3/8,STEEL	2							
28	2	26106-060122	BOLT M 6X 12 PLATED	1							
29	2	26106-060202	BOLT M 6X 20 PLATED	4							
30	1	129900-49870	GASKET, CASE	1							
31	1	23414-080000	GASKET 8, ROUND	1							
32	1	26106-080122	BOLT M 8X 12 PLATED	1							
33	1	26106-080602	BOLT M 8X 60 PLATED	3							
34	1	124250-49351	THERMOMETER	1							
35	1	129150-49360	GASKET 10	1							
36	1	129907-49610	HOSE A ASSY,WATER	1							
37	2	129907-49710	PIPE A,COOLING WATER	1							
38	2	129907-49750	PROTECTOR, PIPE 10.7	1							
39	2	124722-59050	CLAMP 9	2							
40	1	129907-49620	HOSE B ASSY,WATER	1							
41	2	129907-49720	PIPE B,COOLING WATER	1							
42	2	124722-59050	CLAMP 9	2							
43	1	119141-44760	SPACER, FAN	1							

Fig.11. FUEL INJECTION PUMP



Remarks
 (1) GOVERNOR ASSY(FIG.12) IS
 INCORPORATED IN THIS FOP.CMP
 (REF.NO.1).

(A)=4TNV94L-SXZ

(B)=

(C)=

(D)=

(E)=

(F)=

REF.	LEV.	PARTS NO.	DESCRIPTION	Q'TY						I	R
				(A)	(B)	(C)	(D)	(E)	(F)		
1	1	729932-51360	PUMP ASSY, F.INJECT	1							1
29	2	158601-51770	PISTON	1							
30	2	158552-51780	DAMPER ASSY	1							
I	30-1	2 158552-51781 (A=E/#*****)	DAMPER ASSY	1							N
31	2	158601-51790	PLUG	1							
32	2	22190-120002	SEAL WASHER 12	1							
33	2	22190-180002	SEAL WASHER 18	1							
34	2	23887-120002	PLUG M12,HEX.	1							
42	2	158600-51270	STOPPER	1							
43	2	158563-51281	O-RING	1							
44	2	158563-51281	O-RING	1							
45	2	158560-51300	VALVE ASSY, DILEVERY	4							
53	2	158563-51330	SPRING	4							
54	2	129907-51340	HOLDER	4							
71	2	158601-51550	PLUG	1							
72	2	158553-51551	JOINT, COOLING WATER	1							
73	2	158601-51570	PLUG,WATER PUMP	1							
74	2	129907-51560	PLUG	1							
75	2	158552-51570	PK(BARREL PLUG	4							
76	2	158557-51570	PLUG	1							
77	2	158552-51580	LIFTER	1							
78	2	129906-51580	PACKING, PLUG	1							
79	2	119802-51590	TIMER SET	1							
80	3	119802-51600	TIMER CMP	1							
83	3	158553-51670	O-RING, 1011	1							
84	3	119802-51680	BACKUP RING	1							
85	3	119802-51690	O RING	1							
86	3	24356-010200	PACKING, 1020	1							
87	3	24372-000150	RING, BACKUP T2 P 15	1							
88	2	158560-51600	PACKING, HEAD	1							
89	2	158553-51630	SPRING,TIMER	1							
91	2	158553-51640	ELEMENT, THERMO	1							
92	2	158601-51650	JOINT	1							
93	2	158553-51660	O-RING,P14	1							
94	2	158553-51680	PACKING,TIMER	1							
100	2	158552-52100	PUMP ASSY,FEED	1							
101	3	158552-52500	O-RING(FEED P INNER	1							
102	2	158552-52310	O-RING	1							
103	2	158552-52400	O-RING 4E S42	1							
105	2	22190-120002	SEAL WASHER 12	2							
106	2	22190-120002	SEAL WASHER 12	2							
107	2	22190-180002	SEAL WASHER 18	2							
108	2	22217-180000	SPRING WASHER 18	1							
109	2	22312-050140	PARALLEL PIN 5X14	2							
110	2	22351-050010	SPRING PIN 5X10	2							
112	2	144626-51090	KEY 5X19	1							
113	2	23857-060000	JOINT BOLT 6,PIPE	1							
114	2	24311-000070	O-RING 1A P-7.0	1							
115	2	24356-010200	PACKING, 1020	1							
116	2	24356-020210	O RING	1							

N:Old ↔ New, Q:Old ↔ New, R:Old ↔ New, S:Old ↔ New, W:Add, Z:Discontinued, F:Set Change, K:Q'ty Change

++ CONTINUE ++

(C)Copy Rights YANMAR CO.,LTD and YANMAR AGRICULTURAL EQUIPMENT CO.,LTD.

Fig.11. FUEL INJECTION PUMP

(A)=4TNV94L-SXZ

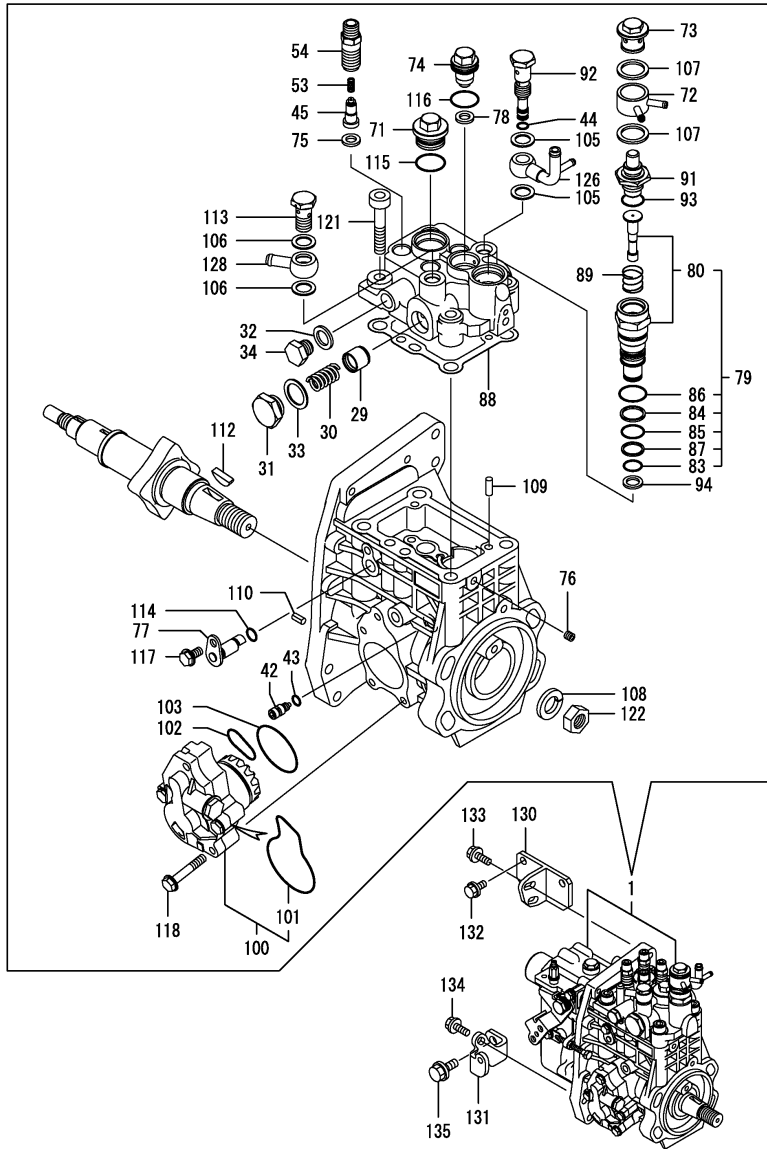
(B)=

(C)=

(D)=

(E)=

(F)=



REF.	LEV.	PARTS NO.	DESCRIPTION	Q'TY						I	R
				(A)	(B)	(C)	(D)	(E)	(F)		
117	2	26106-060102	BOLT 6X 10 PLATED	1							
118	2	26106-060352	BOLT M 6X 35 PLATED	4							
121	2	26450-100452	BOLT M10X 45	4							
122	2	26776-180002	NUT M18,LOCK	1							
126	2	158552-51670	JOINT	1							
128	2	129916-59020	JOINT 12, PIPE	1							
130	1	129907-01950	RETAINER,MP4	1							
131	1	129907-01960	RETAINER,MP4	1							
132	1	26106-080162	BOLT M 8X 16 PLATED	2							
133	1	26106-080222	BOLT M 8X 22 PLATED	2							
134	1	26106-080222	BOLT M 8X 22 PLATED	1							
135	1	26106-100202	BOLT M10X 20 PLATED	1							

Remarks
 (1) GOVERNOR ASSY(FIG.12) IS INCORPORATED IN THIS FOP.CMP (REF.NO.1).

Fig.12. GOVERNOR

(A)=4TNV94L-SXZ

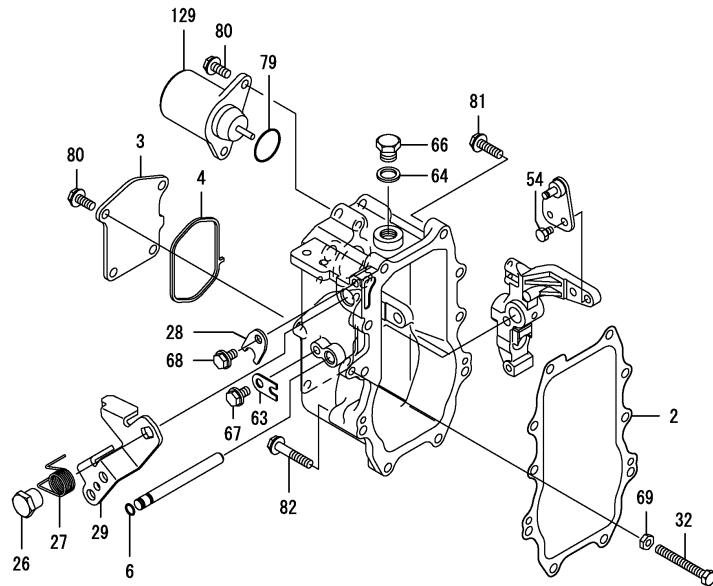
(B)=

(C)=

(D)=

(E)=

(F)=



REF.	LEV.	PARTS NO.	DESCRIPTION	Q'TY						I	R
				(A)	(B)	(C)	(D)	(E)	(F)		
2	2	158560-61050	PACKING, CASE	1							
3	2	158560-61061	COVER, CASE	1							
4	2	158560-61071	PACKING	1							
6	2	129155-51280	O-RING S6	1							
26	2	129255-61410	NUT	1							
27	2	119807-61420	SPRING	1							
28	2	158560-61430	RETAINER	1							
29	2	158560-61442	LEVER, REGULATOR	1							
32	2	129155-61460	BOLT, IDLE LIMIT	1							
54	2	26116-060102	BOLT M 6X 10 PLATED	1							
63	2	119660-61901	RETAINER, SHAFT	1							
64	2	22190-160002	SEAL WASHER 16S	1							
66	2	23887-160002	PLUG 16,HEX.	1							
67	2	26106-060102	BOLT 6X 10 PLATED	1							
68	2	26106-060102	BOLT 6X 10 PLATED	1							
69	2	26756-060002	LOCK NUT 6	1							
79	2	158552-61900	O-RING	1							
80	2	26106-060142	BOLT M 6X 14 PLATED	6							
81	2	26106-060252	BOLT M 6X 25 PLATED	8							
82	2	26106-060402	BOLT M 6X 40 PLATED	2							
129	2	119653-77950	SOLENOID, STOP	1							

Remarks
 * THIS FIGURE(GOVERNOR ASSY)IS
 INCORPORATED IN THE FUEL INJECTION
 PUMP ASSY(FIG.11).

Fig.13. FUEL INJECTION VALVE

(A)=4TNV94L-SXZ

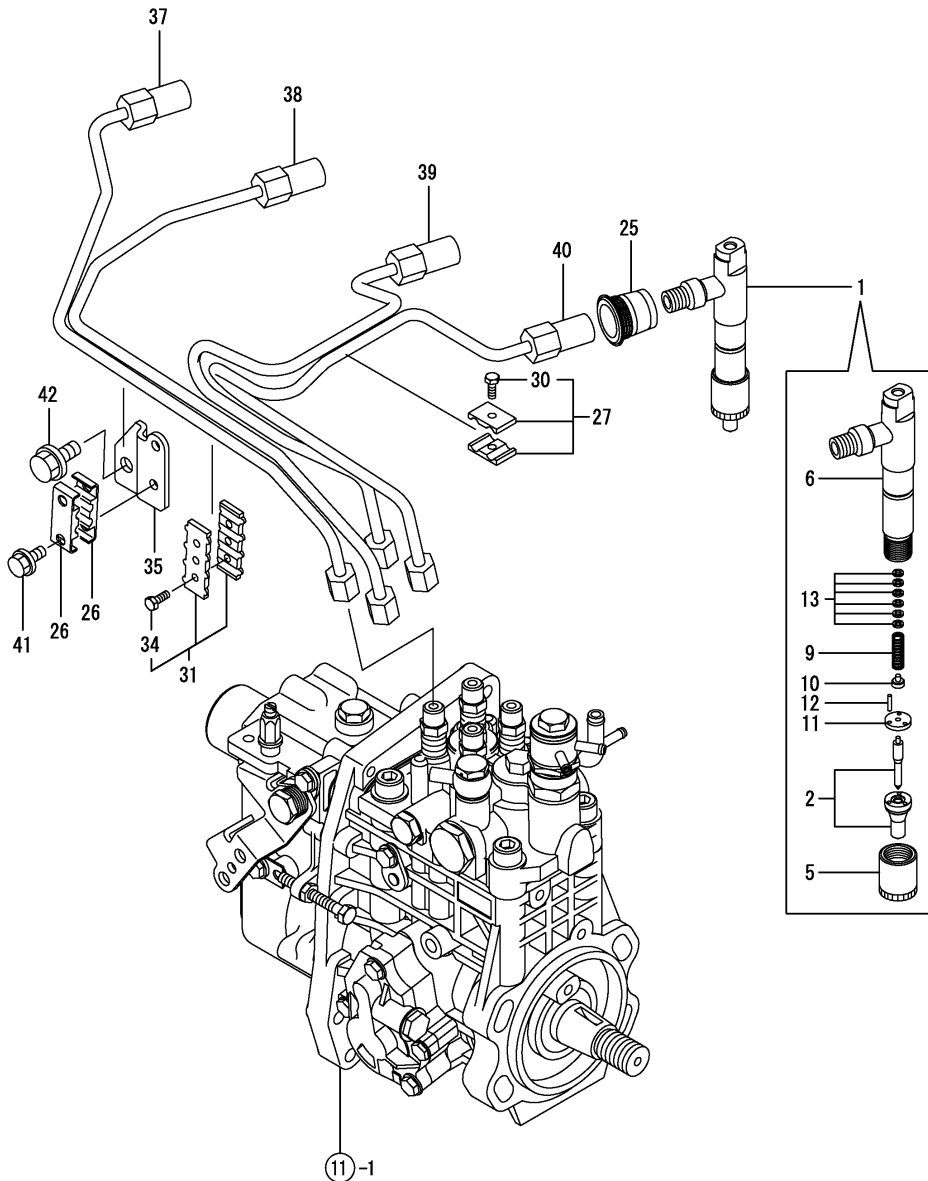
(B)=

(C)=

(D)=

(E)=

(F)=



REF.	LEV.	PARTS NO.	DESCRIPTION	Q'TY						I	R
				(A)	(B)	(C)	(D)	(E)	(F)		
1	1	729906-53100	VALVE ASSY, F.INJECT	4							
2	2	129906-53000	NOZZLE ASSY	4							
5	2	114250-53080	NUT, NOZZLE CASE	4							
6	2	129907-53100	HOLDER ASSY, NOZZLE	4							
9	2	114250-53120	SPRING, NOZZLE	4							
10	2	114250-53130	SEAT, NOZZLE SPRING	4							
11	2	114250-53140	PLATE, STOP	4							
12	2	114250-53210	PIN	8							
13	2	114250-53400	SHIM PACK	4							
25	1	123907-11601	PIPE SEAL	4							
26	1	122780-59100	RETAINER	2							
27	1	119305-59120	RETAINER	1							
30	2	129150-59131	BOLT M4X14,HEX.SCKT.	1							
31	1	129550-59120	RETAINER	1							
34	2	129150-59131	BOLT M4X14,HEX.SCKT.	2							
35	1	129907-59720	PIPE ASSY, INJECTION	1							
37	1	129907-59810	PIPE ASSY, INJECTION	1							
38	1	129907-59820	PIPE ASSY, INJECTION	1							
39	1	129907-59830	PIPE ASSY, INJECTION	1							
40	1	129907-59840	PIPE ASSY, INJECTION	1							
41	1	26106-060162	BOLT M 6X 16 PLATED	2							
42	1	26106-080182	BOLT M 8X 18 PLATED	1							

Fig.14. FUEL LINE

(A)=4TNV94L-SXZ

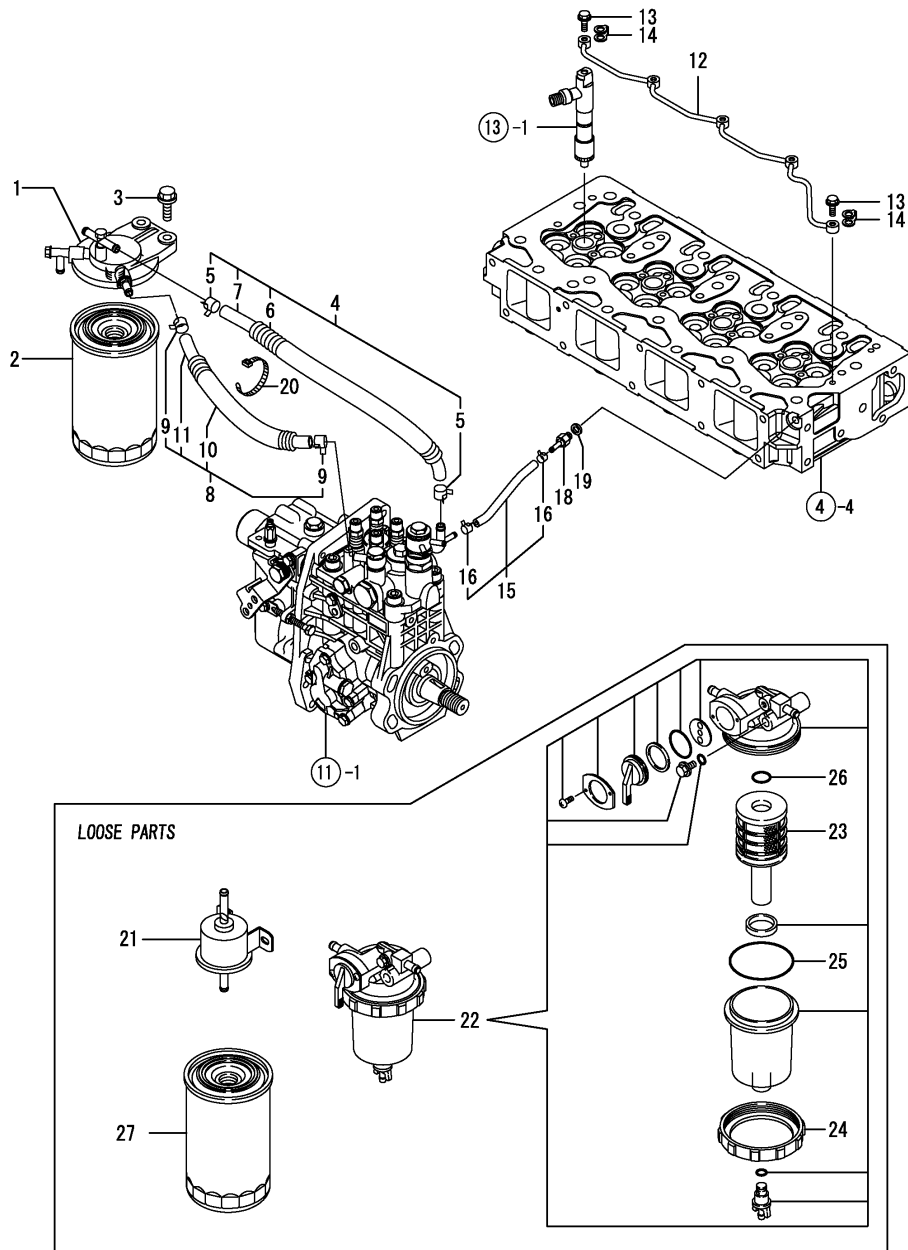
(B)=

(C)=

(D)=

(E)=

(F)=



REF.	LEV.	PARTS NO.	DESCRIPTION	Q'TY						I	R
				(A)	(B)	(C)	(D)	(E)	(F)		
1	1	129004-55612	BRACKET,FUEL FILTER	1							
2	1	129907-55801	FILTER, FUEL OIL	1							
3	1	26106-080302	BOLT M 8X 30 PLATED	2							
4	1	129457-59010	PIPE ASSY, FUEL	1							
5	2	124766-59050	CLAMP 12	2							
6	2	129957-59120	PROTECTOR, FUEL PIPE	1							
7	2	105025-59750	PIPE, FUEL OIL	1							
8	1	129981-59010	PIPE ASSY, FUEL	1							
9	2	124766-59050	CLAMP 12	2							
10	2	129950-59221	TUBE	1							
11	2	129980-59510	PIPE, FUEL OIL	1							
12	1	129907-59140	PIPE ASSY,F.O.RETURN	1							
13	1	123907-59540	JOINT BOLT M6	5							
14	1	123907-59550	PACKING,FUEL RETURN	5							
15	1	129486-59551	PIPE, FUEL RETURN	1							
16	2	124722-59050	CLAMP 9	2							
18	1	123907-59560	HOSE JOINT 4	1							
19	1	22190-080002	SEAL WASHER 8S	1							
20	1	121750-59890	CLAMP 140	1							
21	1	119225-52102	PUMP ASSY, FUEL FEED	1							
22	1	119802-55700	SEPARATOR ASSY	1							
23	2	119802-55710	ELEMENT	1							
24	2	129100-55690	RING, RETAINING	1							
25	2	24321-000650	O-RING 1A G-65.0	1							
26	2	24311-000160	O-RING 1A P-16.0	1							
27	1	129907-55801	FILTER, FUEL OIL	1							

Fig.15. STARTING MOTOR

(A)=4TNV94L-SXZ

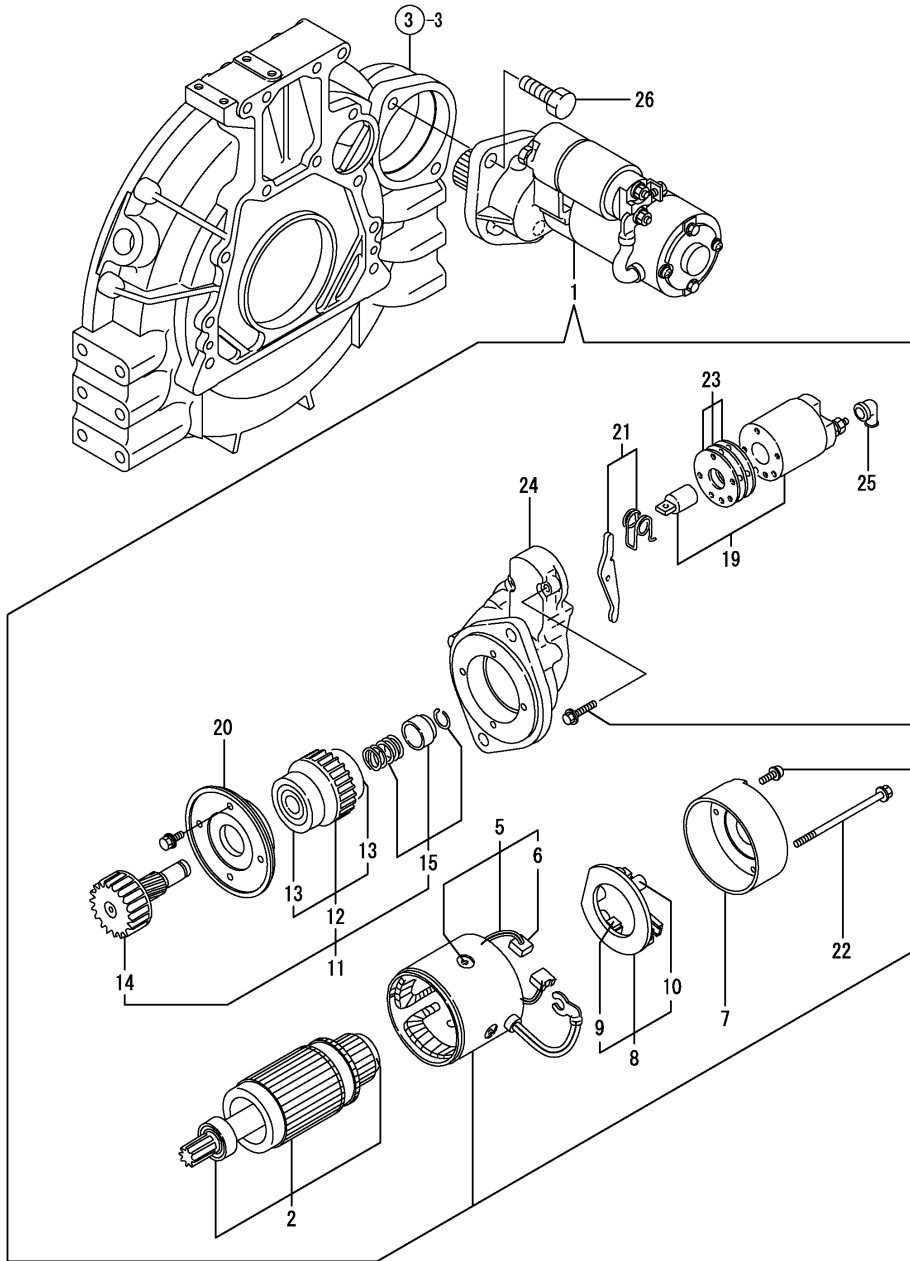
(B)=

(C)=

(D)=

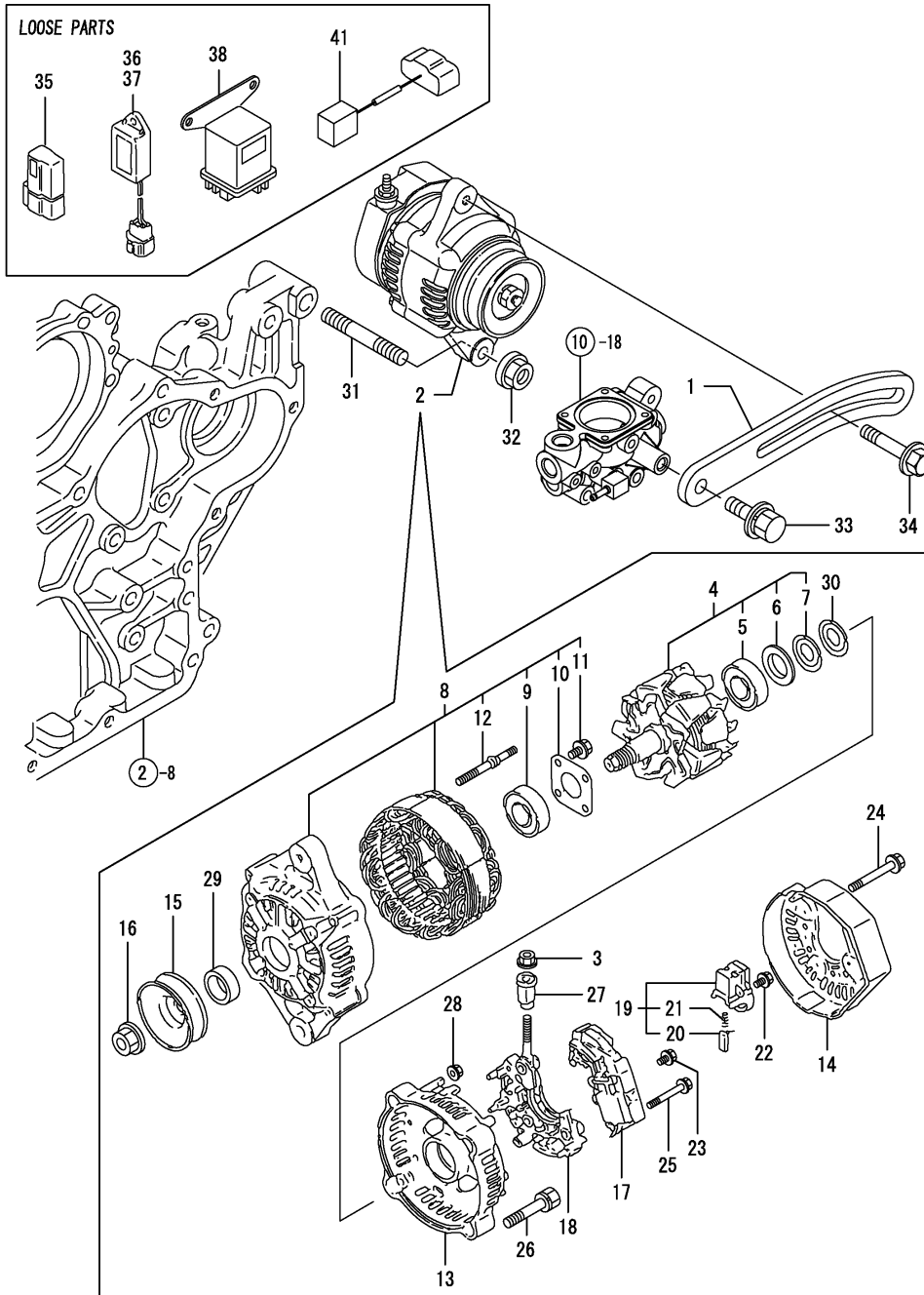
(E)=

(F)=



REF.	LEV.	PARTS NO.	DESCRIPTION	Q'TY						I	R
				(A)	(B)	(C)	(D)	(E)	(F)		
1	1	123900-77010	STARTER	1							
2	2	123900-77400	ARMATURE ASSY	1							
5	2	123900-77440	COIL ASSY, FIELD	1							
6	3	123900-77450	BRUSH (+)	2							
7	2	123900-77460	COVER, REAR	1							
8	2	123900-77480	HOLDER, BRUSH	1							
9	3	123900-77450	BRUSH (+)	2							
10	3	121254-77590	SPRING, BRUSH	4							
11	2	123900-77510	PINION ASSY	1							
12	3	123900-77520	CLUTCH ASSY	1							
13	4	X2240610100	BALL BEARING (3	2							
14	3	123900-77540	SHAFT, PINION	1							
15	3	119131-77550	STOPPER KIT, PINION	1							
19	2	129900-77591	SWITCH ASSY,MAGNETIC	1							
20	2	123900-77610	RETAINER, BEARING	1							
21	2	129900-77620	SHIFT LEVER SET	1							
22	2	123900-77640	THROUGHT BOLT	2							
23	2	123900-77650	COVER ASSY, DUST	1							
24	2	123900-77710	HOUSING, GEARS	1							
25	2	171008-77750	COVER, M TERMINAL	1							
26	1	26116-120252	BOLT M12X 25 PLATED	2							

Fig.16. GENERATOR



(A)=4TNV94L-SXZ

(B)=

(C)=

(D)=

(E)=

(F)=

REF.	LEV.	PARTS NO.	DESCRIPTION	Q'TY						I	R
				(A)	(B)	(C)	(D)	(E)	(F)		
1	1	129916-77300	ADJUSTER	1							
2	1	129423-77200	GENERATOR	1							
3	2	X9490561001	NUT	1							
4	2	119620-77380	ROTOR ASSY	1							
5	3	119620-79240	BALL BEARING	1							
6	3	119620-79250	COVER, BEARING	1							
7	3	119620-79360	THRUST WASHER	1							
8	2	119620-77421	FLAME ASSY, DRIVE	1							
9	3	119620-79200	BALL BEARING	1							
10	3	119620-79210	PLATE	1							
11	3	119620-79220	SCREW	4							
12	3	119620-79230	BOLT, STUD	2							
13	2	119620-77440	FLAME ASSY, REAR	1							
14	2	129423-77450	COVER	1							
15	2	119620-77461	PULLEY	1							
16	2	119620-77471	NUT	1							
17	2	129423-77710	REGULATOR ASSY	1							
18	2	119620-79260	HOLDER	1							
19	2	119620-79270	HOLDER, BRUSH	1							
20	3	119620-77480	BRUSH ASSY	2							
21	3	119620-79280	SPRING	2							
22	2	119620-79290	SCREW	1							
23	2	119620-79300	SCREW	1							
24	2	119620-79310	BOLT	3							
25	2	119620-79320	SCREW W/WASHER	2							
26	2	119620-79330	BOLT	2							
27	2	119620-79340	INSULATION BUSH	1							
28	2	119620-79350	NUT	2							
29	2	119620-77490	COLLAR	1							
30	2	119620-79360	THRUST WASHER	1							
31	1	129795-01900	STUD	1							
32	1	26306-100002	NUT	1							
33	1	26014-080252	BOLT M 8X 25	1							
34	1	119810-77340	BOLT	1							
35	1	119643-66900	DIODE	1							
36	1	128300-77920	TIMER	1							
37	1	129211-77920	TIMER	1							
38	1	119650-77910	RELAY, GROW	1							
41	1	129457-77511	CONNECTOR	1							

Fig.17. GASKET SET

(A)=4TNV94L-SXZ

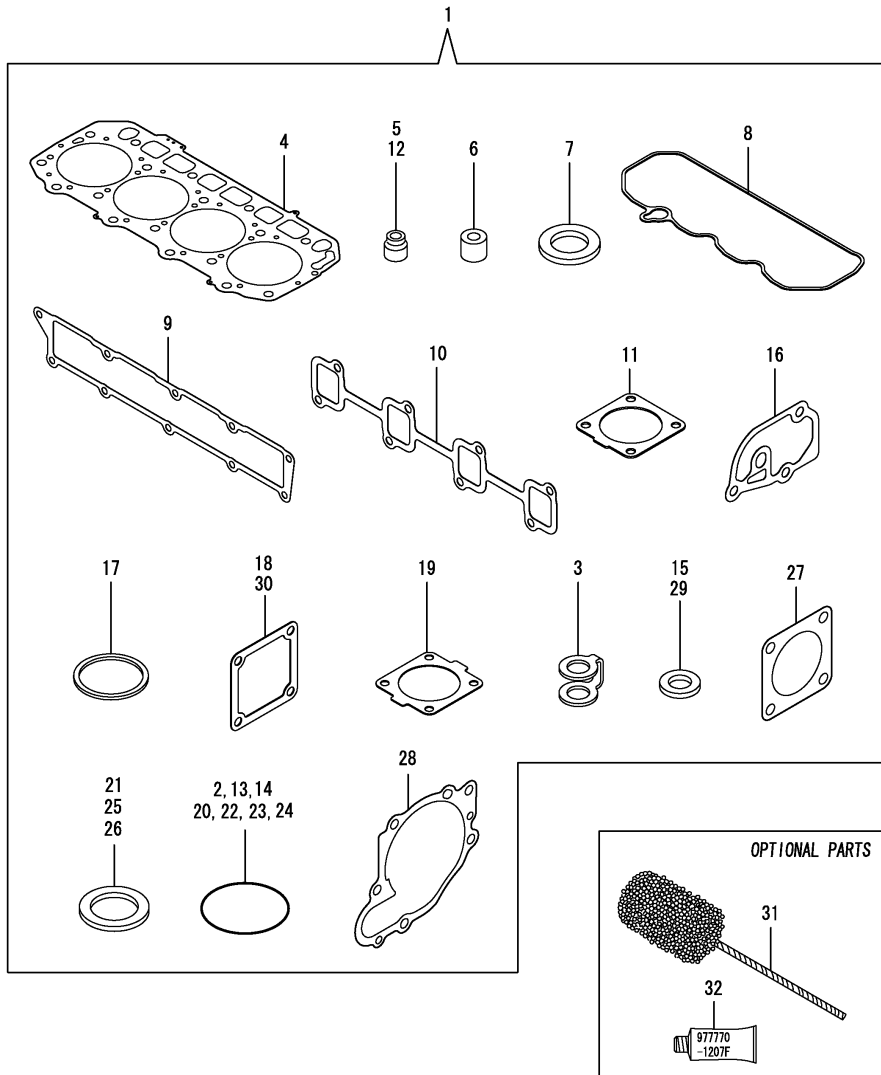
(B)=

(C)=

(D)=

(E)=

(F)=



REF.	LEV.	PARTS NO.	DESCRIPTION	Q'TY						I	R
				(A)	(B)	(C)	(D)	(E)	(F)		
1	1	729906-92800	GASKET SET(NON-ASB.)	1							1
2	2	24351-030750	PACKING, 3075	1							
3	2	123907-59550	PACKING,FUEL RETURN	5							
4	2	129906-01340	GASKET,CYLINDER HEAD	1							
5	2	124160-11340	SEAL, VALVE STEM(INT	8							
6	2	119802-11870	PROTECTOR, NOZZLE	4							
7	2	119625-11880	SEAT, NOZZLE	4							
8	2	129907-11310	PACKING,BONNET	1							
9	2	129907-12110	PACKING(INT.MANIFOLD	1							
10	2	129900-13251	GASKET	1							
11	2	129930-13201	GASKET, SILENCER	2							
12	2	124950-11340	SEAL, VALVE STEM(EXH	8							
13	2	129900-32030	O-RING P20	2							
14	2	129900-32040	O-RING P14	1							
15	2	124465-44950	GASKET 16	1							
16	2	129900-49870	GASKET, CASE	1							
17	2	121850-49550	GASKET, THERMOSTAT	1							
18	2	121850-77021	GASKET, (NON-ASB.)	1							
19	2	121850-49540	GASKET, THERMOSTAT	1							
20	2	24341-000530	O-RING 1A S-53.0	1							
21	2	22190-220002	SEAL WASHER 22S	1							
22	2	24311-000070	O-RING 1A P-7.0	1							
23	2	24311-000120	O-RING 1A P 12.0	8							
24	2	24311-000320	O-RING 1A P-32.0	2							
25	2	22190-080002	SEAL WASHER 8S	7							
26	2	23414-080000	GASKET 8, ROUND	1							
27	2	124240-01883	GASKET, (NON-ASB.)	1							
28	2	129900-42020	GASKET, CW-P	1							
29	2	129150-49360	GASKET 10	1							
30	2	119129-77020	GASKET	1							
31	1	129400-92440	FLEX HORN	1							1
32	1	977770-1207F	GASKET.LIQUID	1							1

Remarks
(1) OPTIONAL PARTS.